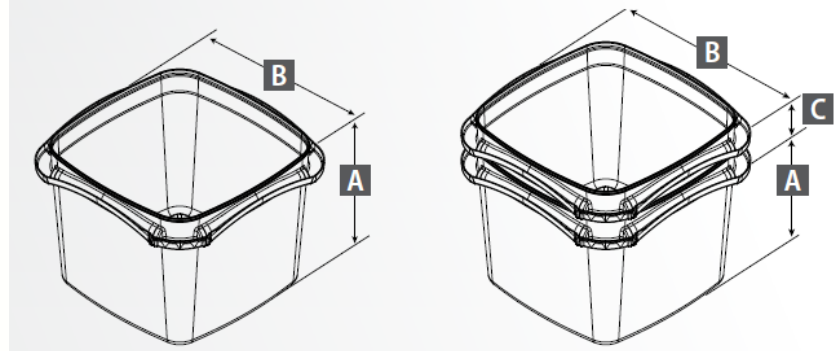


# NEW Tamper Evident Square Line



## CONTAINERS

PRODUCT CODE	MODEL	CAPACITY UNDER LID		APPROX. WEIGHT		A OVERALL HEIGHT		B OVERALL DIAMETER		C NESTING PITCH HEIGHT		ITEMS PER BOX	BOXES PER PALLET	ITEMS PER PALLET	ITEMS PER 53 FT. TRUCKLOAD
		US oz.	ml	oz.	g	In.	mm	In.	mm	In.	mm				
22531	8 oz. / 250 ml	8.7	258.6	0.46	13.1	1.568	39.83	4.123	104.72	0.493	12.52	704	20	14,080	306,240
23531	12 oz. / 375 ml	13.5	398	0.57	16.1	2.314	58.78	4.123	104.72	0.493	12.52	688	20	13,760	299,280
25031	16 oz. / 500 ml	17.2	509	0.65	18.4	2.928	74.37	4.123	104.72	0.493	12.52	672	20	13,440	295,680
21151	32 oz. / 1 L	33.1	978	1.07	30.4	2.892	73.46	5.631	143.03	0.593	15.06	372	20	7,740	176,085
21551	48 oz. / 1.5 L	50.5	1,492	1.45	41.0	4.386	111.40	5.631	143.03	0.593	15.06	276	20	5,520	132,480

## LIDS

PRODUCT CODE	MODEL - ASSOCIATED CONTAINERS	APPROX. WEIGHT		HEIGHT		DIAMETER		ITEMS PER BOX	BOXES PER PALLET	ITEMS PER PALLET*
		oz.	g	In.	mm	In.	mm			
20131	8 oz. / 250 ml, 12 oz. / 375 ml, 16 oz. / 500 ml	0.3	7.0	0.478	12.14	4.016	102.01	1800	36	50,400
20151	32 oz. / 1 L, 48 oz. / 1.5 L	0.5	13.7	0.573	14.55	5.464	138.79	848	40	33,920

\* Estimated

## CERTIFICATIONS

The raw materials used are tested according to ASTM standards for polymers, are approved for food contact and meet FDA (Food and Drug Administration USA) and HPB (Health Protection Branch Canada) regulations.



## MATERIAL

Containers and lids are made of recyclable polypropylene (PP).



## DECORATION AVAILABLE

- Container:  
3 and 5-sided in-mold diaper label
- Lid:  
Full in-mold label