

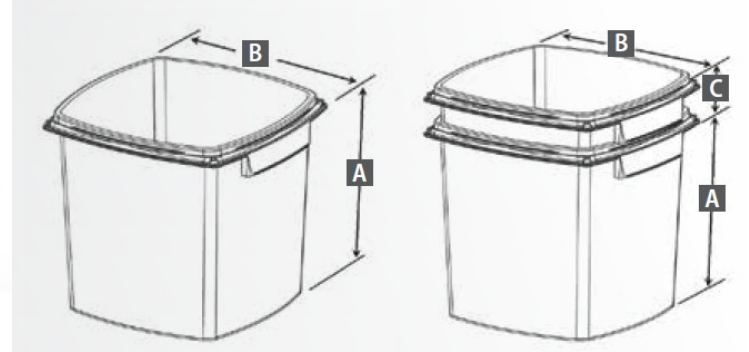
Trustpack

CONTAINERS

PRODUCT CODE	MODEL	CAPACITY UNDER LID		APPROX. WEIGHT		A OVERALL HEIGHT		B OVERALL DIAMETER		C NESTING PITCH HEIGHT		ITEMS PER BOX	BOXES PER PALLET	ITEMS PER PALLET	ITEMS PER 53 FT. TRUCKLOAD
		US oz.	L	oz.	g	in.	mm	in.	mm	in.	mm				
22064	64 oz. / 2 L*	74.13	2.194	2.31	65.6	4.944	125.58	6.65	168.91	1.053	26.75	150	21	3,150	88,200
												1,092	3	3,276	91,728
22564	84 oz. / 2.5 L	88.59	2.62	2.75	78	5.900	149.86	6.65	168.91	1.053	26.75	144	21	3,024	84,672'
												1,050	3	3,150	88,200"

LIDS

PRODUCT CODE	MODEL - ASSOCIATED CONTAINERS	APPROX. WEIGHT		HEIGHT		DIAMETER		ITEMS PER BOX	BOXES PER PALLET	ITEMS PER PALLET
		oz.	g	in.	mm	in.	mm			
20164	64 oz. / 2 L, 84 oz. / 2.5 L	0.78	22	0.375	9.53	6.480	164.59	600	28	16,800



SAFETY, SUSTAINABILITY, EASE OF USE AND ADDED BRANDING VALUE

Trustpack tamper-evident system offers a unique integrity indicator, increasing manufacturers and consumers confidence in product safety.

Its square shape allows for optimized shipping and warehousing.

Its design provides an intuitive single-motion opening, stable stacking and easy handling.

Using IML decoration, it offers differentiation on the shelf and graphics that fully capture product quality.

KEY FEATURES AND BENEFITS

- Innovative Trustpack tamper-evident system
- Ready for film seal applications
- Space optimizing shape
- Up to 40% more containers on a pallet than with round containers
- Single-motion opening using the pull-tab on the lid
- Easy handling
- Stable in a stack
- Photo-quality IML decoration
- Microwave and dishwasher (top rack) safe